

IR 20

FOR BARRIER

WATERPROOF



PHOTOCELL BEAM SENSOR

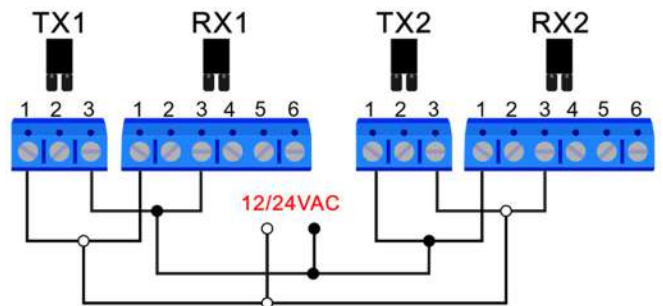
FEATURES

- ✓ SINGLE BEAM SENSOR/SINGLE BEAM DETECTOR IS USED FOR AUTOMATIC SLIDE DOOR, GARAGE DOOR WINDOWS ETC
- ✓ CONSISTS OF A TRANSMITTER AND A RECEIVER, AND THE INTEGRATED AMPLIFIER CAN PRODUCE INFRARED BEAM NARROW .INFRARED BEAM (1 OR 1)CAN AVOID INTERRUPTION BY EXTERNAL LIGHT
- ✓ EVEN INSTALLED AT LOW HEIGHT 20-40CM FROM THE FLOOR, THE DETECTING DISTANCE CAN ALSO BE GUARANTEED 2-20 METERS
- ✓ THE IR-20 PROVIDES A SELF-DETECTING FUNCTION FOR THE SLIDING DOORS. ONCE THE SELF-DETECTING BEAM IS INTERRUPTED, THE DOOR WILL STOP CLOSING AND REVERSE RAPIDLY TO THE UTMOST WIDTH. THE DOOR WILL OPEN UNTIL THE DETECTING BEAM IS .RESUMED. WHEN THE DOOR COMPLETELY CLOSES, THE DETECTING BEAM BECOMES INVALID

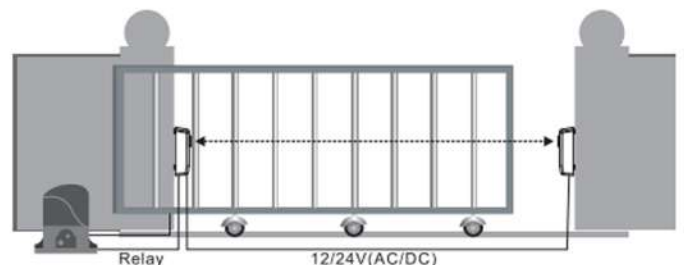
TECHNOLOGY PARAMETER

Power Supply	12/24(VAC/VDC)
Max Range up	20 meters (indoor or outdoor)
Operate Temperatur	-10 °C + 60 °C
Max.TX working current	25 mA
Max.RX working current	35 mA
Max.Relay contact	Max 500 mA e 48Vac/dc
IP rate	IP65
Meterial	ABS
Net Weight	160g

CONNECTIONS



INSTALLATON DIAGRAM AND APPLICATION



SIZE

